

PORSCHE

Turbo Coupe

US \$128,700

Model Year 2009 Standard Equipment includes:

Engine

480 hp, 460 lb ft torque - 3.6 liter horizontally opposed 6 cylinder with aluminum alloy engine block & cylinder heads, rear mounted engine. Twin Turbochargers with VTG (variable turbine geometry), twin intercoolers. Dry sump lubrication system with 9 oil pumps, external oil tank. 4 overhead camshafts, 4 valves per cylinder with "VarioCam Plus" continuously variable inlet valve timing and lift. Cylinder specific knock control. Stainless steel exhaust system with twin brushed steel tail pipes integrated in the rear apron.

Power Transmission

6-speed Manual Transmission with double inertia flywheel. Hydraulic clutch actuation. All wheel drive with map controlled multi disc clutch center differential and PTM (Porsche Traction Management).

Chassis and Suspension

8.5"x19" forged Turbo wheels, 235/35 ZR19 high performance tires - front. 11"x19" forged Turbo wheels, 305/30 ZR19 high performance tires – rear, includes anti-theft device. TPMS – Tire Pressure Monitoring System. Puncture sealing compound and electric compressor. Power assisted steering with variable ratio. McPherson strut suspension with stabilizer bar – front. Multi link LSA (Light, Stable, Agile) suspension with stabilizer bar – rear. PASM – (Porsche Active Suspension Management) including 10mm lowering. PSM – (Porsche Stability Management), with ABS (Anti lock Braking System), ASR (Anti Slip Regulation), ABD (Automatic Brake Differential) and EDTC (Engine Drag Torque Control).

Braking System

13.8" vented and perforated rotors w/ 6 piston monobloc fixed alloy calipers – front, 4 piston monobloc fixed alloy calipers – rear. ABS 8.0 – Anti Lock Braking System, brake pad wear indicators, hand operated parking brake. Calipers painted in red.

Body

Two plus two Coupe, body shell hot dip galvanized on both sides. Luggage compartment lid and doors in Aluminum. Electric sliding roof with tip open/close. Front apron with air intakes, front lights, indicators and fog lights. Rear side section with air intakes for charge-air intercoolers. Rear section with air outlets for charge-air intercoolers and high mounted and integrated tailpipes in chrome plated stainless steel. Side windows with water repellent coating. Heat able rear window. Automatically extendable rear spoiler. Chrome colored "Turbo" rear logotype. Metallic paint. Full underbody paneling. 17.7 gallon fuel tank.

Lighting System

Bi-Xenon lighting system with dynamic headlight leveling and headlight cleaning system. Welcome home function. Separate lights in front apron with LED-Indicator light and projector fog lights. Uniform lighting concept in white for entire interior, continuously variable. Foot well lighting.

Electrical Equipment

PCM (Porsche Communication Management) with 6.5" color display and full touchscreen controls. AM/FM radio with MP3 playing CD/DVD drive for audio playback. Bose Surround Sound System with 13 loudspeakers and 385 watts of total power. On board computer with boost pressure gauge, digital continuous indication of total mileage, trip mileage, time, outside temp and speed. 5 dial type gauges indicating RPM's, speed, oil pressure, oil temperature, coolant temp and fuel level, w/ aluminum colored dials. Electronic oil level measurement with map compensation. Power windows with tip up/tip down and anti-jamming. Automatically dimming interior and drivers side exterior mirrors. Two speed wiper system with rain sensor, wiper delay control, heated washer nozzles. Remote central locking w/ luggage compartment release. Anti theft system including passenger compartment monitoring. Homelink door opener, cruise control. Automatically dimming interior and drivers side exterior mirrors with rain sensor.

Passive Safety Equipment

Fully galvanized high strength steel body w/ front & rear deformation zones. 3 point seat belts w/ pre-tensioners and force limiters. Seat belt height adjustment. 2 stage driver/passenger airbags. Porsche Side Impact Protection System (POSIP) consisting of side impact protection elements in each door, thorax side airbags integrated in seat backrests, head airbags located in door trim. Preparation for child seat anchorage (ISOFIX) on passenger side w/ switch for airbag deactivation.

Interior Equipment

Fully electric seats including lumbar support with memory function on driver side. Split folding rear seats. 3 spoke steering wheel w/ manual reach and height adjustment. Leather interior, decorative stitching in light contrast color. Interior trim in soft-paint in interior color. Air vents, dashboard trim, trim surround on gear selector in aluminum look finish. Various interior parts in Volcano gray. Roof liner in Alcantara. Automatic climate control with integrated carbon filter. Two cup holders in front. Door storage bins. Door entry guards with "Turbo" logotype. Illuminated driver and passenger vanity mirrors.

Porsche Cars North America – United States Order Guide – 2009 Model Year
Options, Prices, content, and availability are subject to change without notice.

PORSCHE

Turbo Cabriolet

US \$139,300

Model Year 2009 Standard Equipment includes:

Engine

480 hp, 460 lb ft torque - 3.6 liter horizontally opposed 6 cylinder with aluminum alloy engine block & cylinder heads, rear mounted engine. Twin Turbochargers with VTG (variable turbine geometry), twin intercoolers. Dry sump lubrication system with 9 oil pumps, external oil tank. 4 overhead camshafts, 4 valves per cylinder with "VarioCam Plus" continuously variable inlet valve timing and lift. Cylinder specific knock control. Stainless steel exhaust system with twin brushed steel tail pipes integrated in the rear apron.

Power Transmission

6-speed Manual Transmission with double inertia flywheel. Hydraulic clutch actuation. All wheel drive with map controlled multi disc clutch center differential and PTM (Porsche Traction Management).

Chassis and Suspension

8.5"x19" forged Turbo wheels, 235/35 ZR19 high performance tires - front. 11"x19" forged Turbo wheels, 305/30 ZR19 high performance tires – rear, includes anti-theft device. TPMS – Tire Pressure Monitoring System. Puncture sealing compound and electric compressor. Power assisted steering with variable ratio. McPherson strut suspension with stabilizer bar – front. Multi link LSA (Light, Stable, Agile) suspension with stabilizer bar – rear. PASM – (Porsche Active Suspension Management) including 10mm lowering. PSM – (Porsche Stability Management), with ABS (Anti lock Braking System), ASR (Anti Slip Regulation), ABD (Automatic Brake Differential) and EDTC (Engine Drag Torque Control).

Braking System

13.8" vented and perforated rotors w/ 6 piston monobloc fixed alloy calipers – front, 4 piston monobloc fixed alloy calipers – rear. ABS 8.0 – Anti Lock Braking System, brake pad wear indicators, hand operated parking brake. Calipers painted in red.

Body

Two plus two Cabriolet, body shell hot dip galvanized on both sides. Luggage compartment lid and doors in Aluminum. Front apron with air intakes, front lights, indicators and fog lights. Rear side section with air intakes for charge-air intercoolers. Rear section with air outlets for charge-air intercoolers and high mounted and integrated tailpipes in chrome plated stainless steel. Side windows with water repellant coating. Heat able rear window. Automatically extendable rear spoiler. Chrome colored "Turbo" rear logotype. Metallic paint. Full underbody paneling. 17.7 gallon fuel tank.

Lighting System

Bi-Xenon lighting system with dynamic headlight leveling and headlight cleaning system. Welcome home function. Separate lights in front apron with LED-Indicator light and projector fog lights. Uniform lighting concept in white for entire interior, continuously variable. Foot well lighting.

Electrical Equipment

PCM (Porsche Communication Management) with 6.5" color display and full touchscreen controls. AM/FM radio with MP3 playing CD/DVD drive for audio playback. Bose Surround Sound System with 12 loudspeakers and 385 watts of total power. On board computer with boost pressure gauge, digital continuous indication of total mileage, trip mileage, time, outside temp and speed. 5 dial type gauges indicating RPM's, speed, oil pressure, oil temperature, coolant temp and fuel level, w/ aluminum colored dials. Electronic oil level measurement with map compensation. Power windows with tip up/tip down and anti-jamming. Electrically operated rear side windows. Electrically operated, fully-automatic folding cabriolet top with heated glass rear window. Automatically dimming interior and drivers side exterior mirrors. Two speed wiper system with rain sensor, wiper delay control, heated washer nozzles. Remote central locking w/ luggage compartment release. Anti theft system including passenger compartment monitoring. Homelink door opener, cruise control. Automatically dimming interior and drivers side exterior mirrors with rain sensor.

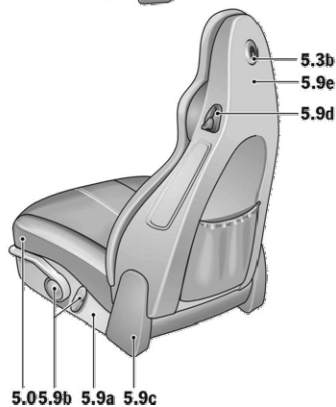
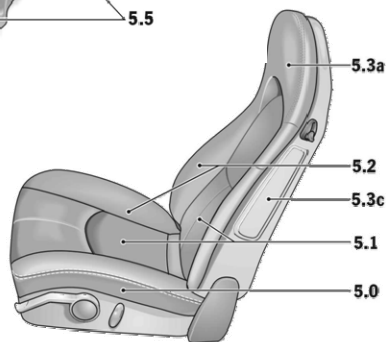
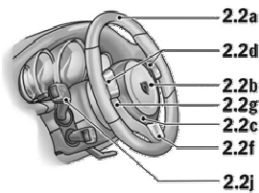
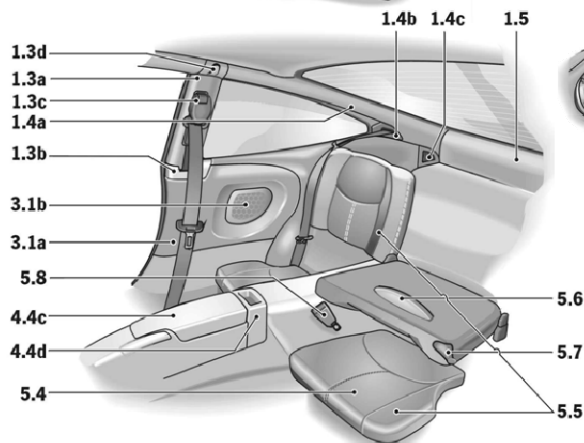
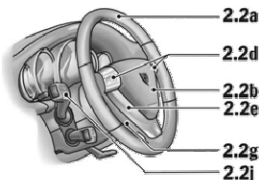
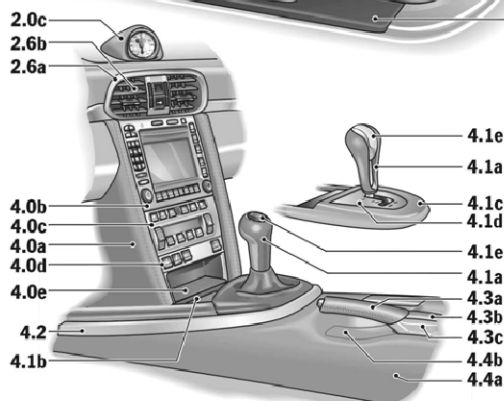
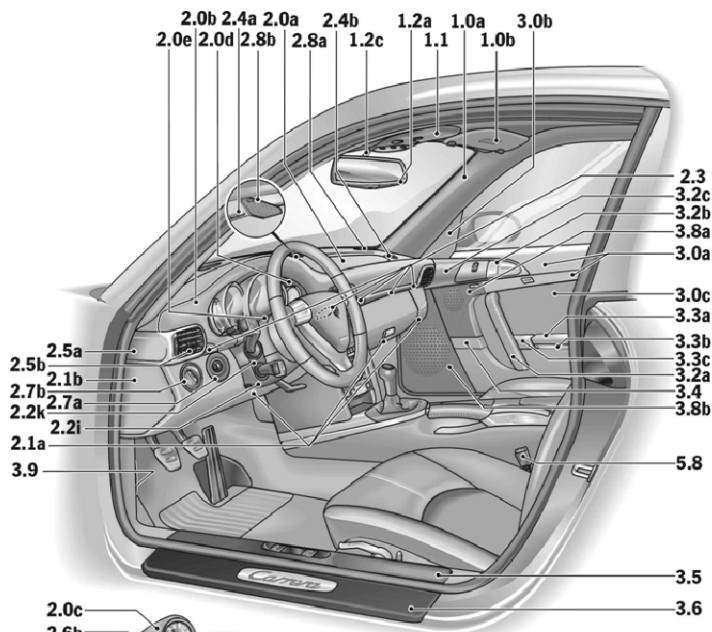
Passive Safety Equipment

Fully galvanized high strength steel body w/ front & rear deformation zones. 3 point seat belts w/ pre-tensioners and force limiters. Seat belt height adjustment. 2 stage driver/passenger airbags. Porsche Side Impact Protection System (POSIP) consisting of side impact protection elements in each door, thorax side airbags integrated in seat backrests, head airbags located in door trim. Preparation for child seat anchorage (ISOFIX) on passenger side w/ switch for airbag deactivation. Automatically deployed roll-over protection system.

Interior Equipment

Fully electric seats including lumbar support with memory function on driver side. Split folding rear seats. 3 spoke steering wheel w/ manual reach and height adjustment. Leather interior, decorative stitching in light contrast color. Interior trim in soft-paint in interior color. Air vents, dashboard trim, trim surround on gear selector in aluminum look finish. Various interior parts in Volcano gray. Roof liner in black. Automatic climate control with integrated carbon filter. Two cup holders in front. Door storage bins. Door entry guards with "Turbo" logotype. Illuminated driver and passenger vanity mirrors.

Porsche Cars North America – United States Order Guide – 2009 Model Year
Options, Prices, content, and availability are subject to change without notice.



1.0a	A-pillar/windscreen frame trim
1.0b	Sun visors
1.1	Interior light surround
1.2a	Rear view mirror frame
1.2b	Rear view mirror casing
1.2c	Rear view mirror mounting
1.3a	B-pillar trim
1.3b	Belt outlets on B-pillars
1.3c	Belt height adjustment trim on B-pillars
1.3d	Clothes hook on B-pillars
1.4a	C-pillar trim
1.4b	Belt outlets on C-pillars
1.4c	Rear air vent
1.5	Rear panel trim
2.0a	Front part of dashboard incl. airbag cover
2.0b	Upper section of dashboard incl. instrument cover
2.0c	Timer cover
2.0d	Instrument surround
2.0e	Instrument surround lower section
2.1a	Lower section of dashboard incl. glove compartment, three-part
2.1b	Dashboard end trim
2.2a	Steering wheel rim
2.2b	Airbag module
2.2c	Airbag module surround on three-spoke sports steering wheel
2.2d	Tiptronic S switches (left/right) or spoke trim (left/right)
2.2e	"Y" trim on standard steering wheel
2.2f	Lower spoke trim on three-spoke sports steering wheel
2.2g	Steering wheel hub cover
2.2h	Steering wheel adjustment collar
2.2i	Steering column casing incl. hands-free microphone, three-part
2.2j	Control stalks
2.2k	Control stalk trim
2.3	Dashboard trim strip incl. cupholder trim, five-part
2.4a	Defroster trim
2.4b	Defroster air vent
2.5a	Side air vent
2.5b	Side air vent slats
2.6a	Central air vent incl. switch trim
2.6b	Central air vent slats
2.7a	Ignition lock surround
2.7b	Light switch surround
2.8a	Loudspeaker finishers on dashboard (left/right)
2.8b	Loudspeaker finisher on dashboard (center)
3.0a	Door trim incl. head-airbag cover
3.0b	Mirror attachment point finishers incl. mirror controls and base plate
3.0c	Door panel
3.1a	Side trim, rear seat area
3.1b	Loudspeaker finishers at rear
3.2a	Front of door handle
3.2b	Door opener
3.2c	Door opener trim
3.3a	Lid of door storage bin
3.3b	Door storage bin surround
3.3c	Lid extension on door storage bin
3.4	Door panel trim
3.5	Inner door-sill guard
3.6	Outer door-sill guard
3.8a	Loudspeaker finishers (mid-tone) incl. seat memory trim (driver's side)
3.8b	Loudspeaker finishers (bass)
3.9	Fuse box trim
4.0a	Center console side trim, front
4.0b	PCM trim
4.0c	Climate control trim
4.0d	Lower center console trim
4.0e	Lower storage bin
4.1a	Gear lever or Tiptronic gear selector
4.1b	Gear lever trim
4.1c	Tiptronic gear selector gate surround
4.1d	Tiptronic gear selector gate
4.1e	Decorative trim on shift pattern or release of Tiptronic gear selector
4.2	Decorative trim on gear lever/selector
4.3a	Handbrake lever
4.3b	Handbrake finisher (upper section)
4.3c	Handbrake finisher (lower section)
4.4a	Rear section of center console incl. ashtray cover
4.4b	Handbrake lever recess trim
4.4c	Lid of storage bin in rear section of center console
4.4d	Storage tray rear section of center console
5.0	Seat base
5.1	Seat center, front
5.2	Lateral supports, front
5.3a	Integrated head restraints, front
5.3b	Clothes hook seat backrest
5.3c	Thorax airbag cover
5.4	Seat center, rear
5.5	Lateral supports, rear
5.6	Luggage stop on rear seat backrests
5.7	Release lever on rear seat backrests incl. base plate
5.8	Belt buckles (front/rear)
5.9a	Seat controls trim
5.9b	Seat controls
5.9c	Hinge cover
5.9d	Release lever surround
5.9e	Sports seat backrest

911

Revision 25.01.2007
VKI, MW

Order Guide

Option	Description	Must Pick	Required	Conflict	Model	Price (USD)
Standard Paint						
A1	Black				Turbo Coupe	\$0
					Turbo Cabriolet	\$0
B4	Carrara White				Turbo Coupe	\$0
					Turbo Cabriolet	\$0
G1	Guards Red				Turbo Coupe	\$0
					Turbo Cabriolet	\$0
X4	Speed Yellow				Turbo Coupe	\$0
					Turbo Cabriolet	\$0
Optional Metallic Paint						
9Q	Meteor Grey Metallic				Turbo Coupe	\$0
					Turbo Cabriolet	\$0
9S	Macadamia Metallic				Turbo Coupe	\$0
					Turbo Cabriolet	\$0
D2	Aqua Blue Metallic				Turbo Coupe	\$0
					Turbo Cabriolet	\$0
E9	Midnight Blue Metallic				Turbo Coupe	\$0
					Turbo Cabriolet	\$0
J1	Porsche Racing Green Metallic				Turbo Coupe	\$0
					Turbo Cabriolet	\$0
L2	Ruby Red Metallic				Turbo Coupe	\$0
					Turbo Cabriolet	\$0
X1	Arctic Silver Metallic				Turbo Coupe	\$0
					Turbo Cabriolet	\$0
Z4	Basalt Black Metallic				Turbo Coupe	\$0
					Turbo Cabriolet	\$0

Option	Description	Must Pick	Required	Conflict	Model	Price (USD)
Special Paint						
8W	Nordic Gold Metallic				Turbo Coupe	\$2,430
					Turbo Cabriolet	\$2,430
E7	Atlas Grey Metallic				Turbo Coupe	\$2,430
					Turbo Cabriolet	\$2,430
H1	Malachite Green Metallic				Turbo Coupe	\$2,430
					Turbo Cabriolet	\$2,430
T2	Cream White				Turbo Coupe	\$2,430
					Turbo Cabriolet	\$2,430
U2	GT Silver Metallic				Turbo Coupe	\$2,430
					Turbo Cabriolet	\$2,430
Paint to Sample						
98	Non-Metallic Paint to Sample This option usually results in a production delay of 3 to 6 months. Not all color requests can be fulfilled and Porsche may require the customer or dealership to supply a paint sample or paint code in order to conduct feasibility testing. The deadline for submission of Model Year 2009 Paint to Sample orders will be approximately February 01, 2009.	24931	22291	789	Turbo Coupe	\$3,605
					Turbo Cabriolet	\$3,605
99	Metallic Paint to Sample This option usually results in a production delay of 3 to 6 months. Not all color requests can be fulfilled and Porsche may require the customer or dealership to supply a paint sample or paint code in order to conduct feasibility testing. The deadline for submission of Model Year 2009 Paint to Sample orders will be approximately February 01, 2009.	24931	22291	789	Turbo Coupe	\$3,605
					Turbo Cabriolet	\$3,605
Convertible Top Colors						
V3	Cabriolet roof in Stone Grey				Turbo Cabriolet	\$0
V4	Cabriolet roof in Metropol Blue				Turbo Cabriolet	\$0
V5	Cabriolet roof in Cocoa				Turbo Cabriolet	\$0
V9	Cabriolet roof in Black				Turbo Cabriolet	\$0

Option	Description	Must Pick	Required	Conflict	Model	Price (USD)
--------	-------------	-----------	----------	----------	-------	-------------

Leather for Sport Seats

P77	Leather Sport Seats			P01 P03 541	Turbo Coupe	\$0
	Manual height and front/back adjustment. Power recline. Seatbacks in Volcano Grey.			982	Turbo Cabriolet	\$0

Full Leather

AT	Black Full Leather				Turbo Coupe	\$0
					Turbo Cabriolet	\$0
DF	Stone Grey Full Leather				Turbo Coupe	\$0
					Turbo Cabriolet	\$0
FE	Sea Blue Full Leather				Turbo Coupe	\$0
					Turbo Cabriolet	\$0
TG	Sand Beige Full Leather				Turbo Coupe	\$0
					Turbo Cabriolet	\$0
970	Two-tone leather interior	BK BM BP		998	Turbo Coupe	\$0
					Turbo Cabriolet	\$0

Special Leather

05	Dark Grey Natural Leather			998	Turbo Coupe	\$1,510
	Dark Grey Natural Leather with roofliner in Alcantara black.				Turbo Cabriolet	\$1,510
06	Brown Natural Leather			998	Turbo Coupe	\$1,510
	Brown Natural Leather with roofliner in Alcantara black.			970	Turbo Cabriolet	\$1,510
07	Carrera Red Natural Leather			998	Turbo Coupe	\$1,510
	Carrera Red Natural Leather with roofliner in Alcantara black.			970	Turbo Cabriolet	\$1,510
BK	Black/Stone Grey Interior			970	Turbo Coupe	\$430
	Black Leather: Windshield pillar and frame, B and C pillars, upper dash and instrument hump, steering wheel rim, top of door molding. Stone Grey Leather: Bottom Lower dash, side covers of center console, storage lid of center console, gearshift and handbrake lever, door handle, door pocket cover and frame, door center panel, rear side covering. Stone Grey Soft Paint: Dashboard end cover, rear center console, including ashtray lid handle recess cover, handbrake lever, storage box in rear center console, cover dashboard/frame PDK shift gate, loudspeaker cover, front loudspeaker cover, door pocket frame. Seats in Black leather. Sunvisors in Black. Carpeting in Stone Grey. Roofliner in Alcantara Black (Coupe).				Turbo Cabriolet	\$430

Option	Description	Must Pick	Required	Conflict	Model	Price (USD)
BM	Black/Sand Beige Interior Black Leather: Windshield pillar and frame, B and C pillars, upper dash and instrument hump, steering wheel rim, top of door molding. Sand Beige Leather: Lower dash, side covers of center console, storage lid of center console, gearshift and handbrake lever, door handle, door pocket cover and frame, door center panel, rear side covering. Sand Beige Soft Paint: Dashboard end cover, rear center console, including ashtray lid handle recess cover, handbrake lever, storage box in rear center console, cover of dashboard/frame PDK shift gate, loudspeaker cover, cover of front loudspeaker, door pocket frame. Seats in Black leather. Sunvisors in Black. Carpeting in Sand Beige. Roofliner in Alcantara Black (Coupe).		970		Turbo Coupe	\$430
					Turbo Cabriolet	\$430
BP	Black/Terracotta Interior Black Leather: Windshield pillar and frame, B and C pillars, upper dash and instrument hump, steering wheel rim, top of door molding. Terracotta Leather: Bottom dash, side covers of center console, storage lid of center console, gearshift and handbrake lever, door handle, door pocket cover and frame, door center panel, rear side covering. Soft Paint Terracotta: Dashboard end cover, rear center console, including ashtray lid handle recess cover, handbrake lever, storage box in rear center console, cover dashboard/frame PDK shift gate, loudspeaker cover, cover of front loudspeaker, door pocket frame. Seats in Black leather. Sunvisors in Black. Carpeting in Terracotta. Roofliner in Alcantara Black (Coupe).		970		Turbo Coupe	\$430
					Turbo Cabriolet	\$430
MB	Special Leather Terracotta Special Leather Terracotta interior with roofliner in Alcantara black.				Turbo Coupe	\$430
					Turbo Cabriolet	\$430
RA	Special Leather Cocoa Special Leather Cocoa interior with roofliner in Alcantara black.				Turbo Coupe	\$430
					Turbo Cabriolet	\$430
Leather to Sample						
99	Leather Interior to Sample This option usually results in a production delay of 3 to 6 months. An interior sketch is required. Not all leather requests can be fulfilled and Porsche may require the customer or dealership to supply a leather sample or previous interior code in order to conduct feasibility testing. The deadline for submission of Model Year 2009 Leather to Sample orders will be approximately February 01, 2009. Note: Loudspeaker grills (door and dash), steering wheel, and airbag cover in black. Steering wheel rim in black unless Exclusive options are ordered.		24941 00341 24961		Turbo Coupe	\$1,750
					Turbo Cabriolet	\$1,750

Option	Description	Must Pick	Required	Conflict	Model	Price (USD)
Floormats						
810	Floor Mats in Interior Color				CFX CJX Turbo Coupe Turbo Cabriolet	\$140 \$140
CFX	Floor Mats With Colored Trim Set of four floor mats. Carpet in Black, Ocean Blue, Stone Grey, Sand Beige, Carrera Red, Terracotta, Cocoa or Natural Brown. Smooth leather surround including double stitching and inlay of front floor mats in choice of color.				CJX 810 Turbo Coupe Turbo Cabriolet	\$525 \$525
CJX	Floor Mats with Leather Surround Smooth leather surround including double stitching in color of carpet. Inlay on front floor mats in smooth leather in color of the leather surround with embossed Porsche logo and stitching.				CFX 810 Turbo Coupe Turbo Cabriolet	\$425 \$425
Seats						
342	Heated Seats Multi-stage heating system for front seats.				P03 Turbo Coupe Turbo Cabriolet	\$500 \$500
541	Seat Ventilation Seat ventilation for both front seats.		342		P01 P03 P77 982 Turbo Coupe Turbo Cabriolet	\$800 \$800
982	Supple Leather Front and Rear Soft ruffled leather on front and rear seat centers.				P01 P03 P77 Turbo Coupe Turbo Cabriolet	\$395 \$395
		AT BK BM BP DF FE MB RA TG 05 06 07 99				
P01	Adaptive Sports Seats with Driver Memory Sport seats with electric adjustment for all seat functions, adjustable side bolsters, memory function for seat, and mirrors. Includes lumbar adjustment on driver side. Seatbacks in Volcano Grey.				P03 P77 541 982 Turbo Coupe Turbo Cabriolet	\$1,145 \$1,145
P03	Sport Bucket Seats				P01 P77 XSA XSB 342 509 541 982 Turbo Coupe Turbo Cabriolet	\$1,575 \$1,575
XSC	Porsche Crest in Headrests Head restraints on front seats embossed with Porsche crest.				Turbo Coupe Turbo Cabriolet	\$285 \$285
Audio & Communications						
461	Rod Antenna External antenna to improve AM reception, mounted on roof above rear window.				686 Turbo Coupe Turbo Cabriolet	\$0 \$0

Option	Description	Must Pick	Required	Conflict	Model	Price (USD)
618	Bluetooth Interface for Mobile Phone with Phone Holder Bluetooth Interface for hands free mobile phone use. Operation of basic phone functions on PCM or multi-function steering wheel (if applicable). Includes phone holder on side of center console.			619 666 669	Turbo Coupe	\$695
					Turbo Cabriolet	\$695
619	Bluetooth Interface for Mobile Phone Bluetooth Interface for hands free mobile phone use. Operation of basic phone functions on PCM or multi-function steering wheel (if applicable).			618 666	Turbo Coupe	\$695
					Turbo Cabriolet	\$695
635	Park Assist System Parking aid with four distance sensors integrated discreetly at rear of car.				Turbo Coupe	\$530
					Turbo Cabriolet	\$530
640	Sport Chrono Package Plus Analog and digital chronometer, sport button in the center console and display in the PCM, also adds ability to adjust lighting, wipers, AC and door locking to suit personal preference. In conjunction with PDK, includes Sports Plus button in center console to activate launch control function (Race start).				Turbo Coupe	\$1,920
					Turbo Cabriolet	\$1,920
641	Electronic Logbook Enables automatic acquisition of mileage, driving distance, date, time and address of starting point and destination at every trip including PC- software for data download and evaluation.				Turbo Coupe	\$650
					Turbo Cabriolet	\$650
671	PCM Voice Control Voice activation for navigation, telephone, and stereo functions. Available for customer specified orders only.				Turbo Coupe	\$595
					Turbo Cabriolet	\$595
686	XM Radio Allows reception of XM Satellite Radio and, new for MY09, XM NavTraffic. Complimentary 3-month service included - after 3 months, subscription is required. Note: XM service is not available in Alaska or Hawaii.			461	Turbo Coupe	\$750
					Turbo Cabriolet	\$750
693	6-Disc CD/DVD Changer Integrated in PCM. Includes ability to play MP3 music files and Audio DVDs.				Turbo Coupe	\$650
					Turbo Cabriolet	\$650
870	Universal Audio Interface Includes connections for three audio source types - iPod, USB for memory stick with MP3 files, and auxiliary interface for other source. iPod and USB interfaces include operation via PCM.				Turbo Coupe	\$440
					Turbo Cabriolet	\$440
Technical						
220	Limited Slip Rear Differential Lock Friction disc lock on rear axle. Pull - 22% and Push - 27%.			249	Turbo Coupe	\$950
					Turbo Cabriolet	\$950

Option	Description	Must Pick	Required	Conflict	Model	Price (USD)
249	Tiptronic S			ECA XCZ 220	Turbo Coupe Turbo Cabriolet	\$3,420 \$3,420
425	Rear Window Wiper				Turbo Coupe	\$0
450	Porsche Ceramic Composite Brake (PCCB) Porsche Ceramic Composite Brake (PCCB) system. Carbon-fiber reinforced ceramic brake discs, internally ventilated and perforated, and yellow painted brake calipers.			447	Turbo Coupe Turbo Cabriolet	\$8,840 \$8,840
509	Fire Extinguisher DIN EN3-compliant powder-based system containing 1 kg of extinguishant. Stows neatly beneath driver's seat.			P03	Turbo Coupe Turbo Cabriolet	\$140 \$140
549	Roof Transport System 165 lb. (75 kg) payload, can be used with all Porsche load carrier accessories.				Turbo Coupe	\$400
550	Aluminum Hard Top Aluminum hardtop in exterior color with heated rear window. Black fabric lining on interior.				Turbo Cabriolet	\$3,490
XCZ	Sport Shifter Reduces shift travel for highly efficient shifting. Note: only in conjunction with manual transmission. Only available for Customer specified orders.			249	Turbo Coupe Turbo Cabriolet	\$765 \$765
Wheels						
XD9	Rims and Caps - Exterior Color Painted wheels and wheel centers with full-color Porsche crest.	Z4 A1 G1 X4 B4		X1 XDA XDB XDC XDD XDE	Turbo Coupe Turbo Cabriolet	\$1,290 \$1,290
XDA	Wheels Painted Black			A1 XDB XDC XDD XDE XD9	Turbo Coupe Turbo Cabriolet	\$1,815 \$1,815
XDB	Wheels Painted Basalt Black			Z4 XDA XDC XDD XDE XD9	Turbo Coupe Turbo Cabriolet	\$1,815 \$1,815
XDC	Wheels Painted Speed Yellow			X4 XDA XDB XDD XDE XD9	Turbo Coupe Turbo Cabriolet	\$1,815 \$1,815
XDD	Wheels Painted Carrara White			B4 XDA XDB XDC XDE XD9	Turbo Coupe Turbo Cabriolet	\$1,815 \$1,815

Option	Description	Must Pick	Required	Conflict	Model	Price (USD)
XDE	Wheels Painted Guards Red			G1 XDA XDB	Turbo Coupe	\$1,815
				XDC XDD XD9	Turbo Cabriolet	\$1,815
Interior Options						
CEE	Rear footwell lighting Additional lights in rear footwell (left/right)				Turbo Coupe	\$415
					Turbo Cabriolet	\$415
CEF	LED Door Storage Pocket Lighting LED lighting in door storage bin (left/right)				Turbo Coupe	\$330
					Turbo Cabriolet	\$330
Interior Cosmetic						
25751	Mid-Range Loudspeakers Cover in Sea Blue Softpaint		25752 25753		Turbo Coupe	\$390
					25754 99	Turbo Cabriolet
25752	Cover of Bass Speakers in Sea Blue Softpaint		25751 25753		Turbo Coupe	\$470
					25754 99	Turbo Cabriolet
25753	Door Panel Covers in Sea Blue Softpaint		25751 25752		Turbo Coupe	\$160
					25754 99	Turbo Cabriolet
25754	Cover of Rear Loudspeakers in Sea Blue Softpaint		25751 25752		Turbo Coupe	\$240
					25753 99	Turbo Cabriolet
X70	Door Entry Guards in Stainless Steel Door entry guards in stainless steel with Carrera logo.			CUA CXB CXC	Turbo Coupe	\$415
				CXD CXE X69	Turbo Cabriolet	\$415
XFD	Instrument dials in Sand Beige Paint finish in Sand Beige			XFG XFH XFJ	Turbo Coupe	\$860
					Turbo Cabriolet	\$860
XFG	Instrument dials in Guards Red Paint finish in Guards Red.			XFD XFH XFJ	Turbo Coupe	\$860
					Turbo Cabriolet	\$860
XFH	Instrument dials in Speed Yellow Paint finish in Speed Yellow.			XFD XFG XFJ	Turbo Coupe	\$860
					Turbo Cabriolet	\$860
XFJ	Instrument dials in Carrara White Paint finish in Carrara White.			XFD XFG XFH	Turbo Coupe	\$860
					Turbo Cabriolet	\$860
XSH	Seat Belts in Silver Full set of belts for front and rear.			XST XSX XSY	Turbo Coupe	\$540
					Turbo Cabriolet	\$540
XST	Seat Belts in Sand Beige			XSH XSX XSY	Turbo Coupe	\$540
					Turbo Cabriolet	\$540

Option	Description	Must Pick	Required	Conflict	Model	Price (USD)
XSX	Seat Belts in Guards Red Full set of belts for front and rear.			XSH XST XSY	Turbo Coupe	\$540
					Turbo Cabriolet	\$540
XSX	Seat Belts in Speed Yellow Full set of belts for front and rear.			XSH XST XSX	Turbo Coupe	\$540
					Turbo Cabriolet	\$540
XXZ	Footrest in Aluminum Driver's side foot rest in aluminum and rubber.				Turbo Coupe	\$250
					Turbo Cabriolet	\$250
Interior Options in Leather						
431	3-Spoke Multifunction Steering Wheel in Smooth Leather Three spoke multifunction steering wheel with smooth leather finish in interior color on steering wheel rim (with cross-stitched seam) and airbag module. Available only with manual gearbox (use option 841 for PDK transmission).			XPA XPV 451 453 459	Turbo Coupe	\$870
					Turbo Cabriolet	\$870
459	3-spoke Steering Wheel in Smooth Leather Smooth leather finish in interior color on steering wheel rim (with cross-stitched seam) and airbag module.			XPA XPV 431 451 453	Turbo Coupe	\$0
					Turbo Cabriolet	\$0
EAF	Interior Leather Package Smooth leather in interior color on instrument surround, side air vents and slats, central air vent including switch trim and slats, and cover of door opener.			CDA CDH CDN CMG CMH CMN CMP CWV CWW EAG EAH EAJ 801 803	Turbo Coupe	\$2,170
					Turbo Cabriolet	\$2,170
XMA	Rooflining in Leather Rooflining in leather in interior color.				Turbo Coupe	\$1,180
XMP	Sun Visors in Leather Sun visors and vanity mirror covers in leather in interior color.				Turbo Coupe	\$560
					Turbo Cabriolet	\$560
XMZ	Rear Center Console in Leather Smooth leather finish in interior color: rear section of center console incl. ashtray cover, storage tray rear section of center console, handbrake lever recess trim.			XCK XJT XME XMJ	Turbo Coupe	\$1,260
					Turbo Cabriolet	\$1,260
XNS	Steering Column in Leather Steering column casing (three-part) in smooth leather finish in interior color.				Turbo Coupe	\$420
					Turbo Cabriolet	\$420
XPA	Thicker 3-Spoke Steering Wheel in Smooth Leather Thicker 3-spoke sports steering wheel in smooth leather in interior color.			XPV 431 451 453 459	Turbo Coupe	\$510
					Turbo Cabriolet	\$510

Option	Description	Must Pick	Required	Conflict	Model	Price (USD)
XSB	Sport Seat Backs in Leather Rear of backrests in smooth leather in interior color.	P01 P77		XSA	Turbo Coupe	\$1,870
					Turbo Cabriolet	\$1,870
XTG	Inner Sill Finishers in Leather Inner sill finishers in leather in interior color.				Turbo Coupe	\$585
					Turbo Cabriolet	\$585
XV1	Defroster Trim in Leather Defroster trim and loudspeaker finisher on switch panel in smooth leather finish in interior color, including decorative stitching where appropriate.			CDG CMG	Turbo Coupe	\$535
					Turbo Cabriolet	\$535
XZD	Dome Lamp Cover in Leather Smooth leather finish in interior color: interior light cover.				Turbo Coupe	\$335
Custom Tailoring and Deviations - Leather						
CDT	Seat Belt Buckles in Leather Seat belt buckles featuring smooth leather finish in interior color, including decorative stitching where appropriate.				Turbo Coupe	\$760
					Turbo Cabriolet	\$760
CDU	Belt Outlet on B Pillar in Leather Smooth leather finish in interior color on seat belt outlet on B-pillars.			CCW CDR CFS CJJ CMR DAB	Turbo Coupe	\$215
					Turbo Cabriolet	\$215
CDW	"Y" Trim Steering Wheel in Leather Smooth leather finish in interior color on "Y" trim of steering wheel.	431 451 453 459 XPV CPA			Turbo Coupe	\$275
					Turbo Cabriolet	\$275
CDZ	Gear Lever Trim in Leather Gear lever trim smooth leather finish in interior color. Includes decorative stitching where appropriate.			DAW DAX 249	Turbo Coupe	\$260
					Turbo Cabriolet	\$260
CFA	Tiptronic Gate in Leather Leather finish in interior color on Tiptronic gear selector surround, including decorative stitching where appropriate.		249	DAV	Turbo Coupe	\$330
					Turbo Cabriolet	\$330
CNA	Defroster Trim in Leather Smooth leather finish in interior color on defroster trim and loudspeaker finisher on switch panel.			CDG CMG	Turbo Coupe	\$535
					Turbo Cabriolet	\$535
CNB	Defroster Air Vents in Leather Smooth leather finish in interior color on defroster air vents. Soft touch paint finish in interior color on defroster air vent slats.				Turbo Coupe	\$365
					Turbo Cabriolet	\$365
CPA	Thicker Multi-function Steering Wheel in Leather Thicker three-spoke steering wheel rim with cross-stitched seam.	431 459			Turbo Coupe	\$965
					Turbo Cabriolet	\$965

Option	Description	Must Pick	Required	Conflict	Model	Price (USD)
CPT	Storage Lid Bin with Porsche Crest Smooth leather finish in interior color on lid of storage bin in rear section of center console with Porsche crest. Includes decorative stitching where appropriate.			CLG CUV	Turbo Coupe	\$295
					Turbo Cabriolet	\$295
CPU	Key Pouch in Interior Color Leather In smooth leather in interior color with embossed Porsche crest and decorative seam.				Turbo Coupe	\$95
					Turbo Cabriolet	\$95
CUJ	Fuse Box Cover in Leather Smooth leather finish in interior color on fuse box cover. Includes decorative stitching where appropriate.				Turbo Coupe	\$155
					Turbo Cabriolet	\$155
CUV	Storage Compartment Lid with Model Logo Smooth leather finish in interior color on lid of storage bin in rear section of center console with Turbo logo. Includes decorative stitching where appropriate.			CLG CPT	Turbo Coupe	\$295
					Turbo Cabriolet	\$295
CUX	Release Lever for Rear Seats in Leather Smooth leather finish in interior color on rear seat backrest release lever, including baseplate. Includes decorative stitching where appropriate.			DAC	Turbo Coupe	\$310
					Turbo Cabriolet	\$310
CVD	Luggage Stop on Rear Seat Backrest in Leather Luggage stop on rear seat backrest with smooth leather finish in interior color including decorative stitching.			DAC	Turbo Coupe	\$275
CVP	Trim Strip Leather Smooth leather finish in interior color on trim strip switch panel including cupholder trim.			CDM CLE CMM 801 803	Turbo Coupe	\$605
					Turbo Cabriolet	\$605
CVT	Door and Rear Speakers in Leather Smooth leather finish in interior color including decorative stitching where appropriate: door panel trim, loudspeaker finishers (mid-tone), loudspeaker finishers (bass). Soft touch paint finish in interior color: loudspeaker grilles. In black plastic: seat memory trim (driver's side).				Turbo Coupe	\$2,570
					Turbo Cabriolet	\$2,570
CVW	Rear View Mirror in Leather Smooth leather finish in interior color on rear view mirror frame, rear view mirror casing, and rear view mirror mounting.				Turbo Coupe	\$510
					Turbo Cabriolet	\$510
CVY	Clothes Hook on Seat Backrest in Leather Clothes hook on seat backrest in smooth leather finish in interior color. Includes decorative stitching where appropriate.			DAB P03	Turbo Coupe	\$250
					Turbo Cabriolet	\$250

Option	Description	Must Pick	Required	Conflict	Model	Price (USD)
CVZ	Bose Subwoofer Outlets in Leather Smooth leather finish in interior color				Turbo Coupe	\$225
CWV	Instrument Surround in Leather Instrument surround in smooth leather finish in interior color.			CDP CMP CWW EAF EAJ	Turbo Coupe Turbo Cabriolet	\$440 \$440
CWW	Instrument Surround in Aluminum Look			CDP CMP CWW	Turbo Coupe Turbo Cabriolet	\$440 \$440
CZD	Interior Light Cover in Leather Interior light surround smooth leather finish in interior color. Includes decorative stitching where appropriate.				Turbo Cabriolet	\$430
DAA	Interior Package A Pillar in Leather Smooth leather finish in interior color on switch panel end trim, ignition lock surround, and mirror attachment point finishers including mirror controls and base plate. Includes decorative stitching where appropriate.				Turbo Coupe Turbo Cabriolet	\$740 \$740
DAB	Interior Package B Pillar in Leather Leather finish interior color on belt outlet on B pillar, belt height adjustment trim on B pillars, clothes hook on B pillars, and clothes hook on seat backrest. Includes decorative stitching where appropriate.			CDU CVY	Turbo Coupe	\$965
DAC	Interior Package C Pillar in Leather Leather finish in interior color on belt outlet on C pillars, rear air vent, luggage stop on rear backrests, and release lever on rear seat backrest, including base plate. Includes decorative stitching where appropriate.			CUX CVD	Turbo Coupe	\$1,035
DAW	Gear Lever and Handbrake Lever Aluminum/Leather Gear lever and handbrake in leather and aluminum. Valid only with interior to sample or when ordering deviating stitching.			CDZ DAT DAX 249 801 803	Turbo Coupe Turbo Cabriolet	\$2,130 \$2,130
Interior Options in Aluminum Look						
26221	Door Handle/Door Storage Compartment Lid Alcantara Black Door handle and door storage compartment lid, including lid extension, in Alcantara Black.	24903 25994 00481		EAG EAH EAJ 25256 25441 26111 970	Turbo Coupe Turbo Cabriolet	\$1,640 \$1,640
EAJ	Interior Aluminum Look Package Aluminum look paint finish on side air vents, central air vents including switch trim, instrument surround, front door handle, lid of door storage bin including lid extension on door storage bin, and door opener trim. Smooth leather finish in interior color on side air vent slats, and central air vent slats.			EAF EAG EAH 801 803	Turbo Coupe Turbo Cabriolet	\$2,870 \$2,870

Option	Description	Must Pick	Required	Conflict	Model	Price (USD)
ECA	Gear Lever and Handbrake Lever in Aluminum Look Gear lever and handbrake lever (partially) in Aluminum. Smooth leather finish in interior color on inlays in gear lever and handbrake finisher (upper section). Aluminum Look paint finish on handbrake finisher (lower section).			249 801 803	Turbo Coupe	\$1,075
					Turbo Cabriolet	\$1,075
ECC	Gear Lever and Handbrake Lever in Aluminum Inlay in handbrake lever and part of gear lever, including milled-in shift pattern, in aluminum. Handbrake lever, upper section of handbrake finisher in smooth leather finish in interior color. Note: leather parts in black when in combination with leather in color to sample.			DAT DAW DAX	Turbo Coupe	\$1,555
				249 801 803	Turbo Cabriolet	\$1,555
XCK	Rear Center Console in Aluminum Look Rear section of center console including ashtray cover storage tray rear section of center console in aluminum look painted finish. Handbrake lever recess trim in leather finish in interior color.			XJT XME XMJ	Turbo Coupe	\$730
				XMZ	Turbo Cabriolet	\$730
XFP	Handbrake Lever in Aluminum Handbrake lever inlay in aluminum look. Handbrake lever and upper section of handbrake finisher in smooth leather finish in interior color. Lower section of handbrake finisher in aluminum look paint finish. Note: leather parts in Black when in conjunction with leather in color to sample.			DAU DAV 801	Turbo Coupe	\$775
				803	Turbo Cabriolet	\$775
XPV	3-Spoke Multi-function Steering Wheel in Aluminum Look Aluminum Look paint finish with smooth leather in interior color on steering wheel rim (with cross stitched seam). Smooth leather finish in interior color on airbag module and steering wheel hub cover.			XPA 431 451	Turbo Coupe	\$1,125
				453 459	Turbo Cabriolet	\$1,125
Custom Tailoring and Deviations - Aluminum Look						
CCW	Belt Outlet B-pillars in Aluminum Look Aluminum Look paint finish on belt outlet on B-pillars (left/right).			CDR CDU CFS	Turbo Coupe	\$180
				CJJ CMR	Turbo Cabriolet	\$180
CDA	Air Vent Slats in Aluminum Look Aluminum look paint finish on side air vent slats and central air vent slats. Smooth leather finish in interior color on side air vents, central air vent including switch trim.			CDG CDN CMN	Turbo Coupe	\$1,010
				EAF EAG EAH EAJ	Turbo Cabriolet	\$1,010
CDD	"Y" Trim Steering Wheel in Aluminum Look			431 451 453	Turbo Coupe	\$275
				459 XPV CPA	Turbo Cabriolet	\$275

Option	Description	Must Pick	Required	Conflict	Model	Price (USD)
CFP	Handbrake Lever in Aluminum II Inlay in handbrake lever in aluminum with Porsche logo. Handbrake lever and upper section of handbrake finisher in smooth leather finish in interior color including decorative stitching. Lower section of handbrake finisher in aluminum look paint finish. Note: Only available with stitching in deviating color.		249	DAU DAV 801 803	Turbo Coupe	\$775
					Turbo Cabriolet	\$775
CNC	Front Air Intakes in Aluminum Look			CNF DAJ	Turbo Coupe	\$1,000
					Turbo Cabriolet	\$1,000
CNW	Wing Mirror in Aluminum Look Aluminum Look paint finish (opaque) on wing mirror (lower part of shell).				Turbo Coupe	\$550
					Turbo Cabriolet	\$550
Interior Options in Carbon						
453	Carbon Multi-function Steering Wheel Three-spoke multi-function steering wheel in carbon. Rim in smooth leather with carbon inlay, airbag module in smooth leather.			XPA XPV 431 451 459	Turbo Coupe	\$1,125
					Turbo Cabriolet	\$1,125
803	Carbon Package Carbon fiber finish: trim strip switch panel incl. cupholder trim, five part lever or Tiptronic selector, handbrake lever.			EAF EAG EAJ ECA 801	Turbo Coupe	\$890
					Turbo Cabriolet	\$890
EAH	Interior Carbon Package Carbon finish on side air vents, central air vent, front side door handles, lid of door storage bin including lid extension on door storage bin, and door opener trim. Smooth leather finish in interior color on side air vent slats, and central air vent slats, including switch trim.			EAF EAG EAJ 801	Turbo Coupe	\$4,830
					Turbo Cabriolet	\$4,830
X69	Door Entry Guards in Carbon Door entry guards in carbon with Carrera logo.			CUA CXB CXC CXD CXE X70	Turbo Coupe	\$780
					Turbo Cabriolet	\$780
XMJ	Rear Center Console Carbon Rear section of center console including ashtray cover, storage tray rear section of center console in carbon finish. Handbrake lever recess trim in leather finish in interior color.			XCK XJT XME XMZ	Turbo Coupe	\$1,625
					Turbo Cabriolet	\$1,625
Custom Tailoring and Deviations - Carbon						
CJJ	Belt Outlets on B Pillars in Carbon			CCW CDR CDU CFS CMR	Turbo Coupe	\$450
					Turbo Cabriolet	\$450
CXD	Door Entry Guards in Carbon, Illuminated Door entry guards in carbon with Turbo logo, illuminated in white.			CUA CXB CXC CXE X69 X70	Turbo Coupe	\$1,280
					Turbo Cabriolet	\$1,280

Option	Description	Must Pick	Required	Conflict	Model	Price (USD)
Customer Tailoring and Deviations - Alcantara						
CLA	Steering Wheel in Alcantara Thicker steering wheel rim in Alcantara black with cross-stitched seam. Airbag module is not in Alcantara.			CPA XPA 451 453	Turbo Coupe Turbo Cabriolet	\$1,105 \$1,105
CLE	Trim Strip Switch Panel in Alcantara Trim strip in Alcantara including cup holder.			CDM CMM CVP 801 803	Turbo Coupe Turbo Cabriolet	\$775 \$775
CLG	Lid of Storage Bin in Alcantara with Logo Alcantara finish in black on lid of storage bin in rear center console with Porsche logo. Includes decorative stitching where appropriate.			CPT CUV	Turbo Coupe Turbo Cabriolet	\$490 \$490
DAT	Gear and Handbrake Lever in Alcantara Alcantara finish in black with decorative stitching where appropriate on gear lever, handbrake lever, and handbrake finisher. Decorative trim on shift pattern including middle shift pattern and inlay in handbrake lever with Porsche Logo in aluminum. Aluminum look paint finish on handbrake finisher.			DAW DAX ECA 249 801 803	Turbo Coupe Turbo Cabriolet	\$1,880 \$1,880
DAU	Tiptronic Gear Selector & Handbrake Lever in Alcantara Alcantara finish in black on Tiptronic gear selector handbrake lever and handbrake finisher. In aluminum: decorative trim on shift pattern including middle shift pattern, inlay in handbrake lever with Porsche Logo. Includes decorative stitching where appropriate.	249		CFP DAV 801 803	Turbo Coupe Turbo Cabriolet	\$1,880 \$1,880
Interior Options in Dark Wood						
451	Multifunction Steering Wheel in Makassar for Manual Three-spoke multi-function steering wheel in dark Makassar. Rim in smooth leather with wood inlay. Airbag module in smooth leather. Only available with manual transmission (use option 847 for PDK).			XPA XPV 431 453 459	Turbo Coupe Turbo Cabriolet	\$1,125 \$1,125
801	Makassar Package Dark Makassar finish: trim strip switch panel including cupholder trim, five-part gear lever or Tiptronic S selector, and handbrake lever.			EAF EAH EAJ ECA 803	Turbo Coupe Turbo Cabriolet	\$890 \$890
EAG	Interior Makassar Package Dark Makassar Matt Silk Finish on side air vents, central air vent, front side door handle, lid door storage bin including lid extension on door storage bin, and door opener trim. Smooth leather finish in interior color on side air vent slats, and central air vent slats, including switch trim.			EAF EAH EAJ 803	Turbo Coupe Turbo Cabriolet	\$4,830 \$4,830

Option	Description	Must Pick	Required	Conflict	Model	Price (USD)
XJT	Rear Center Console Makassar Dark makassar finish on rear section of center console, including ashtray cover and storage tray on rear section of center console. Leather finish in interior color on handbrake lever recess trim.			XCK XME XMJ XMZ	Turbo Coupe Turbo Cabriolet	\$1,625 \$1,625
Custom Tailoring and Deviations - Wood						
CFS	Belt Outlets on B Pillars in Makassar			CCW CDR CDU CJJ CMR	Turbo Coupe Turbo Cabriolet	\$450 \$450
Interior Options in Exterior Color						
XME	Rear Center Console in Exterior Color Paint finish in exterior color on rear section of center console, including ashtray cover and storage tray rear on section of center console. Leather finish in interior color on handbrake lever recess trim.			XCK XJT XMJ XMZ	Turbo Coupe Turbo Cabriolet	\$730 \$730
XSA	Sport Seat Backs Painted in Exterior Color	P01 P77		98 99 XSB 789	Turbo Coupe Turbo Cabriolet	\$1,580 \$1,580
Custom Tailoring and Deviations - Exterior Color						
CDG	Switch Panel Package Painted Exterior Color Side air vents central air vents including switch trim. Leather finish interior color: defroster trim, side air vent slats, central air vent slats.			CDA CDN CMG CMN CNA EAF EAG EAH EAJ	Turbo Coupe Turbo Cabriolet	\$2,030 \$2,030
CDH	Door Finishers Painted in Exterior Color Paint finish in exterior color on front of door handle and door opener trim.			CMH EAF EAG EAH EAJ	Turbo Coupe Turbo Cabriolet	\$830 \$830
CDJ	Gear Lever Trim in Exterior Color Paint finish in exterior color on decorative trim on gear lever/selector.			CMJ	Turbo Coupe Turbo Cabriolet	\$295 \$295
CDM	Trim Strip Painted in Exterior Color Paint finish in exterior color on trim strip switch panel, including cupholder trim.			CLE CMM CVP 801 803	Turbo Coupe Turbo Cabriolet	\$520 \$520
CDN	Air Vent Slats Painted in Exterior Color Paint finish in exterior color on side air vent slats and central air vent slats. Smooth leather finish in interior color on side air vents, central air vent including switch trim.			CDA CDG CMG CMN EAF EAG EAH EAJ	Turbo Coupe Turbo Cabriolet	\$1,010 \$1,010
CDP	Instrument Surround Painted in Exterior Color			CMP CWV CWW EAF EAJ	Turbo Coupe Turbo Cabriolet	\$440 \$440
CDR	Belt Outlet on B-pillars Painted in Exterior Color			CCW CDU CFS CJJ CMR	Turbo Coupe Turbo Cabriolet	\$180 \$180

Option	Description	Must Pick	Required	Conflict	Model	Price (USD)
CGA	Headlight Cleaner Cover in Exterior Color				Turbo Coupe	\$225
					Turbo Cabriolet	\$225
CMA	Exterior Mirror Attachment Point Finishers Painted Exterior Color Exterior mirror attachment point finishers painted in exterior color. Not available before Oct 2008.				Turbo Coupe	\$500
					Turbo Cabriolet	\$500
CMC	Door Opener Painted in Exterior Color			CDC	Turbo Coupe	\$550
					Turbo Cabriolet	\$550
CNE	Spoiler Lip Painted Spoiler lip in paint finish in exterior color.			DAJ XAF	Turbo Coupe	\$640
					Turbo Cabriolet	\$640
CNF	Front Air Intakes Painted Paint finish in exterior color: front air intakes (left/center/right)			CNC DAJ	Turbo Coupe	\$1,000
					Turbo Cabriolet	\$1,000
CNG	Lower Part of Rear Apron Painted Paint finish in exterior color: lower part of rear apron (standard)			DAJ XAF	Turbo Coupe	\$585
					Turbo Cabriolet	\$585
CUC	Model Designation on Rear Lid Painted Exterior Color		498		Turbo Coupe	\$180
					Turbo Cabriolet	\$180
DAJ	Exterior Package Painted Paint finish in exterior color: spoiler lip (standard), front air intakes (left/center/right), lower part of rear apron (standard).		XAJ	CNC CNE CNF CNG XAF	Turbo Coupe	\$2,115
					Turbo Cabriolet	\$2,115
Custom Tailoring and Deviations - Black						
CDC	Door Opener Painted Black			CMC	Turbo Coupe	\$550
					Turbo Cabriolet	\$550
CMD	Rear Center Console Painted Black Paint finish in Black on rear section of center console, including ashtray cover, and storage tray on rear section of center console. Smooth leather finish in interior color on handbrake lever recess trim.			CME XCK XJT XME XMJ XMZ	Turbo Coupe	\$1,130
					Turbo Cabriolet	\$1,130
CMG	Switch Panel Package Painted Black Side air vents and central air vents including switch trim painted black. Leather finish interior color on defroster trim, side air vent slats and central air vent slats.			CDA CDG CDN CMN CNA EAF EAG EAH EAJ	Turbo Coupe	\$2,030
					Turbo Cabriolet	\$2,030
CMH	Door Finishers Painted Black Paint finish in Black on front of door handle and door opener trim. Note: recommended in conjunction with belt-outlet B-pillars painted Black.			CDH EAF EAG EAH EAJ	Turbo Coupe	\$900
					Turbo Cabriolet	\$900

Option	Description	Must Pick	Required	Conflict	Model	Price (USD)
CMJ	Gear Lever/Selector Trim Painted Black			CDJ	Turbo Coupe	\$295
					Turbo Cabriolet	\$295
CMM	Trim Strip Painted Black Paint finish in Black on trim strip switch panel including cupholder trim (five-part).			CDM CLE CVP 801 803	Turbo Coupe	\$520
					Turbo Cabriolet	\$520
CMN	Air Vent Slats Painted Black Paint finish in Black on side air vent slats and central air vent slats. Smooth leather finish in interior color on side air vents and central air vent including switch trim.			CDA CDG CDN CMG EAF EAG EAH EAJ	Turbo Coupe	\$1,010
					Turbo Cabriolet	\$1,010
CMP	Instrument Surround Painted Black			CDP CWV CWW EAF EAJ	Turbo Coupe	\$440
					Turbo Cabriolet	\$440
CMR	Belt Outlets on B-Pillars Painted Black			CCW CDR CDU CFS CJJ	Turbo Coupe	\$180
					Turbo Cabriolet	\$180

Custom Tailoring and Deviations - Other

00471	Back Of Rear Seats Deviating Carpet Rear side of back seat backrest covered with carpet	25241 25351 25352			Turbo Coupe	\$0
					Turbo Cabriolet	\$0
09991	All Exclusive Options with Deviating Stitching			970	Turbo Coupe	\$290
					Turbo Cabriolet	\$290
24891	Stitching of Front and Rear Seats in Deviating Color			25991 970	Turbo Coupe	\$1,100
					Turbo Cabriolet	\$1,100
24901	Stitching of Dashboard in Deviating Color	AT BK BM BP DF FE TG MB RA 05 06 07 99		25992 970	Turbo Coupe	\$310
					Turbo Cabriolet	\$310
24902	Stitching of Door Trim in Deviating Color	AT BK BM BP DF FE TG MB RA 05 06 07 99		25993 970	Turbo Coupe	\$240
					Turbo Cabriolet	\$240
24903	Stitching of Door Handle in Deviating Color Stitching of door handles and door storage compartment lid in deviating thread color.	AT BK BM BP DF FE TG MB RA 05 06 07 99		EAG EAH EAJ 25994 970	Turbo Coupe	\$550
					Turbo Cabriolet	\$550

Option	Description	Must Pick	Required	Conflict	Model	Price (USD)
24904	Stitching of Side Center Console in Deviating Color	AT BK BM BP		25995 970	Turbo Coupe	\$310
		DF FE TG MB RA 05 06 07 99			Turbo Cabriolet	\$310
24905	Stitching of Rear Side Panel in Deviating Color	AT BK BM BP		25996 970	Turbo Coupe	\$390
		DF FE TG MB RA 05 06 07 99			Turbo Cabriolet	\$390
24921	Upper Dash in Deviating Color Dashboard upper section and passenger airbag standard leather in deviating color.	24901 25992		25731 640 970	Turbo Coupe	\$470
		00481			Turbo Cabriolet	\$470
24922	Lower Dash in Deviating Color Dashboard lower section and glove compartment lid standard leather in deviating color.	AT BK BM BP		25252 970	Turbo Coupe	\$310
		DF FE TG MB RA 05 06 07 99			Turbo Cabriolet	\$310
24923	Center Console Side Pads Standard Leather Dev. Color Center Console Side Pads Standard Leather Deviating Color	24904 25995		24924 25257	Turbo Coupe	\$160
		00481		618 970	Turbo Cabriolet	\$160
24951	Carpet in Deviating Color			99 24961	Turbo Coupe	\$710
					Turbo Cabriolet	\$710
24961	Standard Carpet in Deviating Color Deviating carpet out of standard offering, only with Interior code '99'		99	24951	Turbo Coupe	\$0
					Turbo Cabriolet	\$0
25221	Roofliner Deviating Color Alcantara			XMA	Turbo Coupe	\$310
25231	Front Seat Inlay in Alcantara Deviating Color			25241 25251	Turbo Coupe	\$630
				25351 25352 25491 541 970 982	Turbo Cabriolet	\$630
25241	Front and Rear Seats in Leather Deviating Color	AT BK BM BP	00471	25231 25251	Turbo Coupe	\$1,500
		DF FE TG MB RA 05 06 07 99		25351 25352 25491 970	Turbo Cabriolet	\$1,500
25281	Door Airbag Cover Trim Strip Leather Deviating Color	AT BK BM BP		25253 970	Turbo Coupe	\$310
		DF FE TG MB RA 05 06 07 99			Turbo Cabriolet	\$310

Option	Description	Must Pick	Required	Conflict	Model	Price (USD)
25432	Storage Compartment Lid-Rear Center Console Leather Dev Color Storage compartment lid on rear of center console in standard leather deviating color.	AT BK BM BP DF FE TG MB RA 05 06 07 99		970	Turbo Coupe	\$160
					Turbo Cabriolet	\$160
25461	A/B/C Pillars in Standard Leather	AT BK BM BP DF FE TG MB RA 05 06 07 99		970	Turbo Coupe	\$790
25491	Front and Rear Seat Inlays In Deviating Color	AT BK BM BP DF FE TG MB RA 05 06 07 99		25231 25241 25251 25351 25352 970	Turbo Coupe	\$1,180
					Turbo Cabriolet	\$1,180
25631	Door Trim Standard Leather Deviating Color	24902 25993 00481		970	Turbo Coupe	\$310
					Turbo Cabriolet	\$310
25731	Upper Dash with Sport Chrono Deviating Color Dashboard upper section and passenger airbag standard leather in deviating color.	24901 25992 00481	640	24921 970	Turbo Coupe	\$550
					Turbo Cabriolet	\$550
25961	Door Center Panel in Standard Leather, Deviating Color	AT BK BM BP DF FE TG MB RA 05 06 07 99		25254 970	Turbo Coupe	\$310
					Turbo Cabriolet	\$310
26061	Steering Wheel Standard Leather Deviating Color			26071	XPA XPV 970	\$160
					Turbo Coupe	\$160
26071	Steering Wheel Airbag Module Standard Leather, Deviating Color			970	Turbo Coupe	\$160
					Turbo Cabriolet	\$160
26111	Door Pull Handle & Storage Compartment Lid Leather Dev Color Door Pull Handle/Storage Compartment Lid Leather Dev Color	24903 25994 00481		EAG EAH EAJ 25256 25441 26221 970	Turbo Coupe	\$470
					Turbo Cabriolet	\$470
26121	Door center panel in Black Alcantara	AT BK BM BP DF FE TG MB RA 05 06 07 99		25254 25961 970	Turbo Coupe	\$310
					Turbo Cabriolet	\$310

Option	Description	Must Pick	Required	Conflict	Model	Price (USD)	
CME	Rear Section of Center Console Painted in Deviating Color Paint finish in exterior color: rear section of center console including ashtray cover, storage tray rear section of center console. Smooth leather finish in interior color: handbrake lever recess trim. Note: Rear section of center console with paint finish in matching exterior color is only available as option XME.				CMD XCK XJT	Turbo Coupe	\$1,130
					XME XMJ XMZ	Turbo Cabriolet	\$1,130
CMX	Side Strips with Model Designation Side strips with Turbo logo, available in Guards Red, Speed Yellow, Black, Aluminum Look, Carrara White, Orange, Green, Dark Blue or Meteor Grey.					Turbo Coupe	\$775
						Turbo Cabriolet	\$775
CUL	Wind Deflector with Colored Porsche Logo Wind deflector with Porsche logo in Carrara White, Guards Red, Arctic Silver, Speed Yellow					Turbo Cabriolet	\$175
CXB	Door Entry Guards in Stainless Steel, Illuminated Door entry guards (left/right) in stainless steel with Turbo logo, illuminated in White.				CUA CXC CXD	Turbo Coupe	\$775
					CXE X69 X70	Turbo Cabriolet	\$775
CXC	Door entry guards with personal logo, illuminated Door entry guards (left/right) in stainless steel with personal logo, illuminated in White. Note: please use special order form Door entry guards with personal logo in addition to the Exclusive special order.				CUA CXB CXD CXE X69 X70	Turbo Cabriolet	\$0
Exterior Cosmetic							
498	Delete Model Designation Deletion of model designation					Turbo Coupe	\$0
						Turbo Cabriolet	\$0
XAF	Turbo Aerokit Includes new front spoiler lip, new engine cover with rear spoiler and fixed wing profile. Paint finish in exterior color on standard side skirts and standard lower part of rear apron. Note: substantially reduces entry angle to gradients.				XAJ	Turbo Coupe	\$6,950
XAJ	Side Skirts in Painted in Exterior Color				XAF	Turbo Coupe	\$750
						Turbo Cabriolet	\$750
XXF	Red Taillights Entirely red lens					Turbo Coupe	\$520
						Turbo Cabriolet	\$520

Option	Description	Must Pick	Required	Conflict	Model	Price (USD)
--------	-------------	-----------	----------	----------	-------	-------------

Additional Options

TD5	Tourist Delivery		900		<i>Turbo Coupe</i>	\$4,075
	Tourist Delivery orders must have the Tourist Delivery Order Form sent to the PCNA European Delivery Department to have the option code placed on the order. For more information, please see the European Delivery page in PPN under Sales -> European Delivery.				<i>Turbo Cabriolet</i>	\$4,075